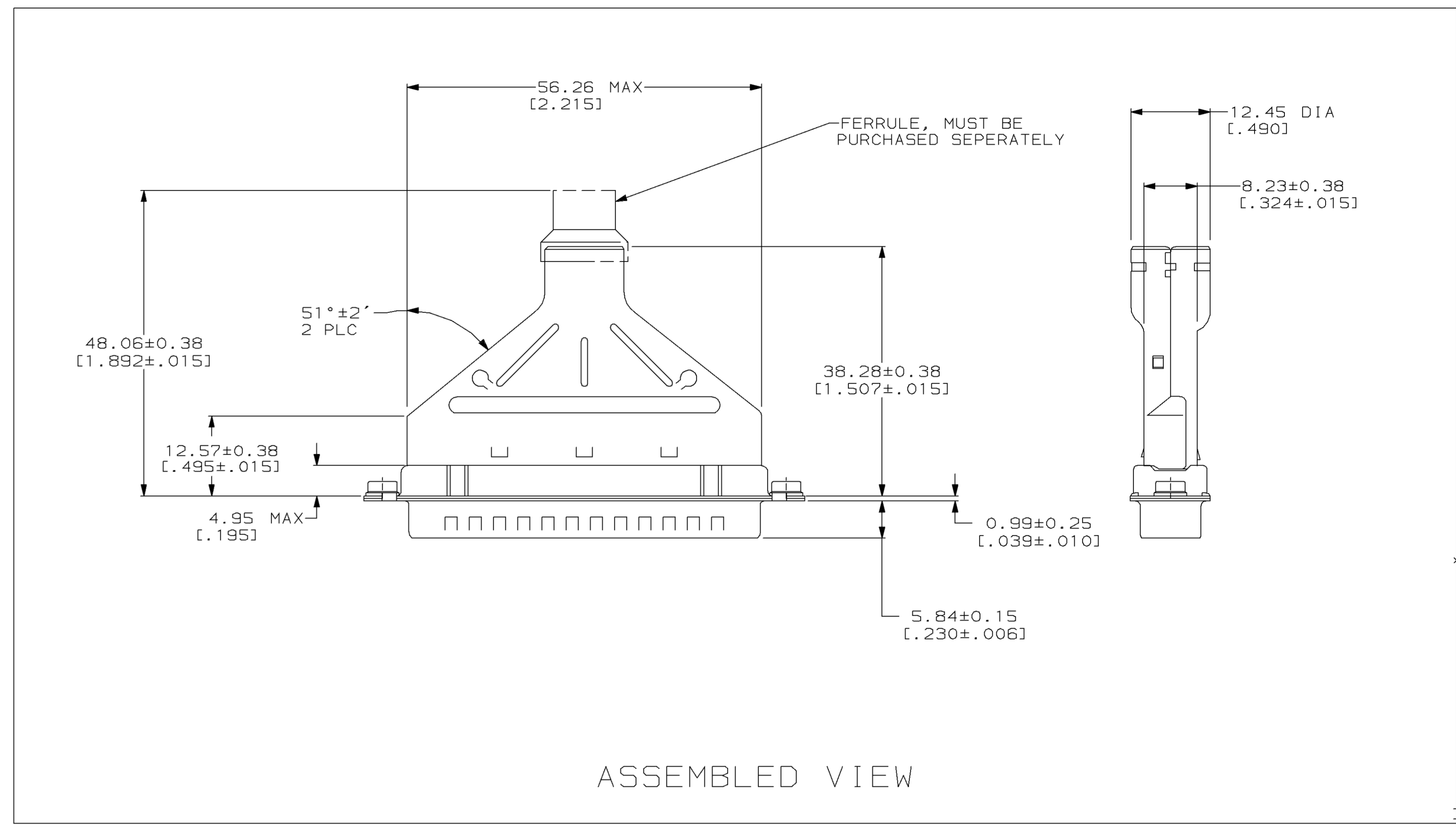
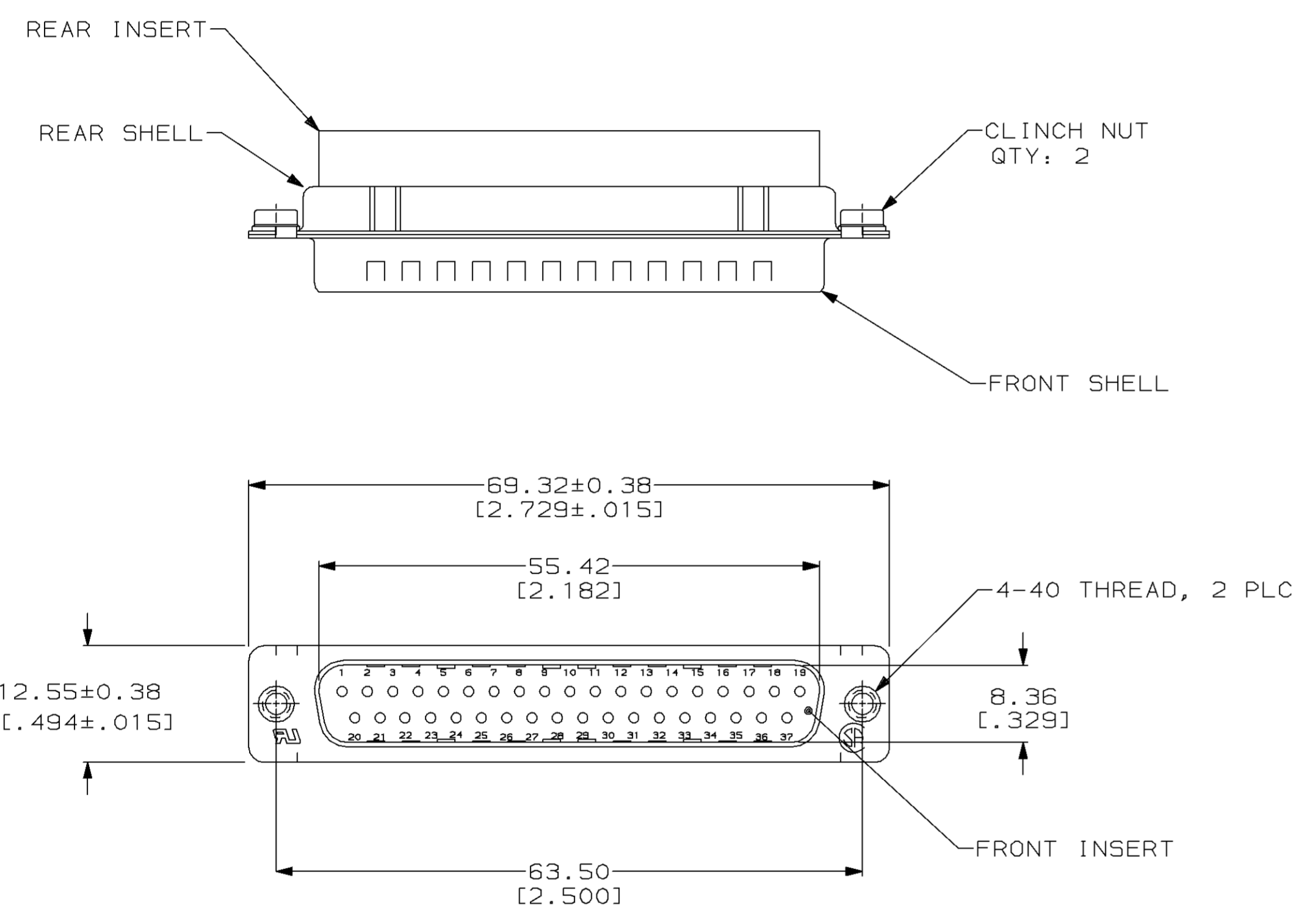
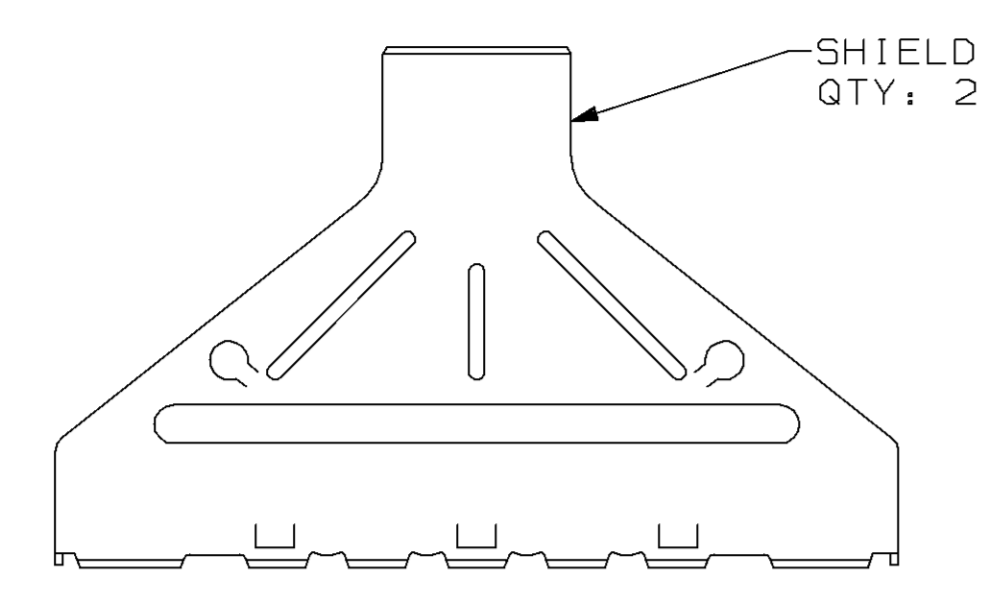


LOC		DIST		ZONE		LTR		REVISIONS		
BD	48	P	F					DESCRIPTION	DATE	APPD
								0 RLSE NPR 4847, WAS 93-5788-2-1	6-28-93	-



- 1 CARBON STEEL.
- 2 5.08µm [.000200] MIN TIN OVER 2.54µm [.000100] MIN COPPER.
- 3 NYLON, UL 94V-0 RATED, GLASS FILLED, BLACK.
- 4 ZINC PLATED, YELLOW CHROMATE.

THIS DRAWING IS A CONTROLLED DOCUMENT FOR AMP INCORPORATED. IT IS SUBJECT TO CHANGE AND THE CONTROLLING ENGINEERING ORGANIZATION SHOULD BE CONTACTED FOR THE LATEST REVISION.

DO NOT SCALE PRINT. UNLESS SPECIFIED DIMENSIONS IN mm [INCHES] TOLERANCES ON:		DR 6-28-93 J McCLINTON	AMP Incorporated Harrisburg, PA 17105-3608	
2 PLC DEC ± 0.13 (.005)		CHK 6-28-93 R. STONE		
3 PLC DEC ± -		APPD 6-29-93 S. BRINSER	NAME	
ANGLES ± -		APPD 6-29-93 S. BRINSER	PLUG KIT, UNASSEMBLED, SIZE 4, 37 POSITION, WITH SHIELDING HARDWARE AND CLINCH NUT, HDP-20 AMPLIMATE™	
MATERIAL	INSERTS: 3	PRODUCT SPEC	SIZE	CAGE CODE
SHELLS, SHIELDS & CLINCH NUTS: 1		108-40030	D	00779
FINISH	SHELLS & SHIELDS: 2	APPLICATION SPEC	DRAWING NO	
	CLINCH NUTS: 4	114-40007	C=	786929
		WEIGHT -	SCALE	SHEET
			4:1	1 OF 1